

Series \PRIUS D 50 Hz

Diaphragm motor-driven dosing pumps

PRIUS series of motor-driven dosing pumps have been entirely designed and manufactured by EMEC to meet higher level requirements.
PRIUS D 50 Hz pumps with constant dosing are equipped with PTFE diaphragm

and are also available in the AP version for high pressures and with three-phase or single-phase (Mono) motor.
ATEX certified models are allowed to be used in potentially explosive atmospheres.

R3-10-22

PERFORMANCE



POWER SUPPLY



VENTING



FEATURES

- Horizontal mounting
- Aluminium enclosure
- Spring return mechanism
- Double ball check valve (where available)
- Manual stroke length adjustment
- Flow rate adjustment from 0 to 100% with manual adjustment on the knob
- Liquid ends available in different sizes and materials
- Tropicalized motor
- Available with ATEX certification

INSTALLATION

- Kit installation A included
- Kits installation B and C sold separately
- The pump with pump head in AISI316L does not have accessories for installation



PUMP HEADS



PVDF



PP



AISI316

Series \PRIUS D 50 Hz

Diaphragm motor-driven dosing pumps

technical data
manuals
datasheets
exploded-views



PRIUS D 50 Hz

Diaphragm pump with constant dosing

FEATURES

- › PTFE diaphragm
- › Manual stroke length adjustment
- › Liquid ends available in different sizes and materials

FUNCTIONS

- › Constant dosing

MOTORS

0,37 kW 220/380 V 3-phase
0,18 kW 220/380 V 3-phase
0,55 kW 220/380 V 3-phase

PRIUS D 50 Hz Mono

Diaphragm pump with constant dosing and single-phase motor

FEATURES

- › PTFE diaphragm
- › Manual stroke length adjustment
- › Liquid ends available in different sizes and materials
- › Single-phase motor

FUNCTIONS

- › Constant dosing

MOTORS

0,37 kW 220 V single-phase
0,55 kW 220 V single-phase

PRIUS D 50Hz AP

Diaphragm pump with constant dosing for high pressure

FEATURES

- › PTFE diaphragm
- › Manual stroke length adjustment
- › Liquid ends available in different sizes and materials
- › For high pressure

FUNCTIONS

- › Constant dosing

MOTORS

0,37 kW 220/380 V 3-phase

PRIUS D 50Hz AP Mono

Diaphragm pump for high pressure with single-phase motor

FEATURES

- › PTFE diaphragm
- › Manual stroke length adjustment
- › Liquid ends available in different sizes and materials
- › For high pressure
- › Single-phase motor

FUNCTIONS

- › Constant dosing

MOTORS

0,37 kW 220 V single-phase
0,55 kW 220 V single-phase

ATEX - Category 2

Category 2

Installation areas liable to be endangered by explosive atmospheres. Pumps intended for use in areas in which explosive atmospheres are likely to occur.

	G (gas)	D (dust)
1999/92/EC	Zone 1	Zone 21

- › Explosive atmospheres consists of air and combustible matter, such as gases, vapours, mists or dusts in which the explosion spreads after ignition.
- › Atex pumps are designed in accordance with ATEX directive 2014/34/EU and can be used in areas (zones) classified according to ATEX directive 1999/92/CE.
- › Stainless steel liquid ends AISI 316 (L).

ATEX - Category 3

Category 3

Installation areas liable to be endangered by explosive atmospheres. Pumps intended for use in areas in which explosive atmospheres only rarely occur.

	G (gas)	D (dust)
1999/92/EC	Zone 2	Zone 22

- › Explosive atmospheres consists of air and combustible matter, such as gases, vapours, mists or dusts in which the explosion spreads after ignition.
- › Atex pumps are designed in accordance with ATEX directive 2014/34/EU and can be used in areas (zones) classified according to ATEX directive 1999/92/CE.

PRIUS D DIAPHRAGM 50Hz

1 code						pump head		PVDF		AISI 316L		PP		Kit instal- lation
2 bar	3 l/h	p.h.	stroke mm	spm	6 reduction	7 motor	hoses connection		hoses connection	4 S	hoses connection			
10	60	NM	3	175	8:1	T 0,18 kW	G 1/2" 13 mm (i.d.)		R 1/2"	4	G 1/2" 13 mm (i.d.)		A	
10	30	NM	3	94	2 15:1	1 0,18 kW	G 1/2" 13 mm (i.d.)		R 1/2"		G 1/2" 13 mm (i.d.)		A	
10	24	NM	3	70	4 20:1	1 0,18 kW	G 1/2" 13 mm (i.d.)		R 1/2"		G 1/2" 13 mm (i.d.)		A	
10	12	NM	3	35	5 40:1	1 0,18 kW	G 1/2" 13 mm (i.d.)		R 1/2"		G 1/2" 13 mm (i.d.)		A	
10	16	NM	4	35	5 40:1	1 0,18 kW	G 1/2" 13 mm (i.d.)		R 1/2"		G 1/2" 13 mm (i.d.)		A	
10	105	TM	3	175	1 8:1	2 0,37 kW	G 3/4" 13 mm (i.d.)		R 3/4"		G 3/4" 13 mm (i.d.)		A	
10	56	TM	3	94	2 15:1	2 0,37 kW	G 3/4" 13 mm (i.d.)		R 3/4"		G 3/4" 13 mm (i.d.)		A	
10	42	TM	3	70	4 20:1	2 0,37 kW	G 3/4" 13 mm (i.d.)		R 3/4"		G 3/4" 13 mm (i.d.)		A	
10	21	TM	3	35	5 40:1	2 0,37 kW	G 3/4" 13 mm (i.d.)		R 3/4"		G 3/4" 13 mm (i.d.)		A	
7	160	TM	4	175	1 8:1	2 0,37 kW	G 3/4" 13 mm (i.d.)		R 3/4"		G 3/4" 13 mm (i.d.)		A	
7	86	TM	4	94	2 15:1	2 0,37 kW	G 3/4" 13 mm (i.d.)		R 3/4"		G 3/4" 13 mm (i.d.)		A	
7	64	TM	4	70	4 20:1	2 0,37 kW	G 3/4" 13 mm (i.d.)		R 3/4"		G 3/4" 13 mm (i.d.)		A	
7	32	TM	4	35	5 40:1	2 0,37 kW	G 3/4" 13 mm (i.d.)		R 3/4"		G 3/4" 13 mm (i.d.)		A	
5	240	TM	6	175	1 8:1	2 0,37 kW	G 3/4" 18 mm (i.d.)		R 3/4"		G 3/4" 18 mm (i.d.)		B	
5	128	TM	6	94	2 15:1	2 0,37 kW	G 3/4" 18 mm (i.d.)		R 3/4"		G 3/4" 18 mm (i.d.)		B	
5	96	TM	6	70	4 20:1	2 0,37 kW	G 3/4" 18 mm (i.d.)		R 3/4"		G 3/4" 18 mm (i.d.)		B	
5	48	TM	6	35	5 40:1	2 0,37 kW	G 3/4" 18 mm (i.d.)		R 3/4"		G 3/4" 18 mm (i.d.)		B	
2	1000	UMS	10	175	1 8:1	2 0,37 kW	G 1 1/2" 30 mm (i.d.)		R 1"		G 1 1/2" 30 mm (i.d.)		C	
5	1000	UMS	10	175	1 8:1	L 0,55 kW	G 1 1/2" 30 mm (i.d.)		R 1"		G 1 1/2" 30 mm (i.d.)		C	
5	520	UMS	10	94	2 15:1	2 0,37 kW	G 1 1/2" 30 mm (i.d.)		R 1"		G 1 1/2" 30 mm (i.d.)		C	
4	520	UMS	10	94	2 15:1	2 0,37 kW	G 1 1/2" 30 mm (i.d.)		R 1"		G 1 1/2" 30 mm (i.d.)		C	
5	390	UMS	10	70	4 20:1	2 0,37 kW	G 1 1/2" 30 mm (i.d.)		R 1"		G 1 1/2" 30 mm (i.d.)		C	
5	180	UMS	10	35	5 40:1	2 0,37 kW	G 1 1/2" 30 mm (i.d.)		R 1"		G 1 1/2" 30 mm (i.d.)		C	
5	350	UMS	4	175	1 8:1	2 0,37 kW	G 1 1/2" 30 mm (i.d.)		R 1"		G 1 1/2" 30 mm (i.d.)		C	
5	188	UMS	4	94	2 15:1	2 0,37 kW	G 1 1/2" 30 mm (i.d.)		R 1"		G 1 1/2" 30 mm (i.d.)		C	
5	140	UMS	4	70	4 20:1	2 0,37 kW	G 1 1/2" 30 mm (i.d.)		R 1"		G 1 1/2" 30 mm (i.d.)		C	
5	70	UMS	4	35	5 40:1	2 0,37 kW	G 1 1/2" 30 mm (i.d.)		R 1"		G 1 1/2" 30 mm (i.d.)		C	
5	440	UMS	5	175	1 8:1	2 0,37 kW	G 1 1/2" 30 mm (i.d.)		R 1"		G 1 1/2" 30 mm (i.d.)		C	
5	236	UMS	5	94	2 15:1	2 0,37 kW	G 1 1/2" 30 mm (i.d.)		R 1"		G 1 1/2" 30 mm (i.d.)		C	
5	176	UMS	5	70	4 20:1	2 0,37 kW	G 1 1/2" 30 mm (i.d.)		R 1"		G 1 1/2" 30 mm (i.d.)		C	
5	88	UMS	5	35	5 40:1	2 0,37 kW	G 1 1/2" 30 mm (i.d.)		R 1"		G 1 1/2" 30 mm (i.d.)		C	
5	530	UMS	6	175	1 8:1	2 0,37 kW	G 1 1/2" 30 mm (i.d.)		R 1"		G 1 1/2" 30 mm (i.d.)		C	
5	284	UMS	6	94	2 15:1	2 0,37 kW	G 1 1/2" 30 mm (i.d.)		R 1"		G 1 1/2" 30 mm (i.d.)		C	
5	212	UMS	6	70	4 20:1	2 0,37 kW	G 1 1/2" 30 mm (i.d.)		R 1"		G 1 1/2" 30 mm (i.d.)		C	
5	106	UMS	6	35	5 40:1	2 0,37 kW	G 1 1/2" 30 mm (i.d.)		R 1"		G 1 1/2" 30 mm (i.d.)		C	
3	750	UMS	8	175	1 8:1	2 0,37 kW	G 1 1/2" 30 mm (i.d.)		R 1"		G 1 1/2" 30 mm (i.d.)		C	
5	750	UMS	8	175	1 8:1	L 0,55 kW	G 1 1/2" 30 mm (i.d.)		R 1"		G 1 1/2" 30 mm (i.d.)		C	
5	380	UMS	8	94	2 15:1	2 0,37 kW	G 1 1/2" 30 mm (i.d.)		R 1"		G 1 1/2" 30 mm (i.d.)		C	
5	290	UMS	8	70	4 20:1	2 0,37 kW	G 1 1/2" 30 mm (i.d.)		R 1"		G 1 1/2" 30 mm (i.d.)		C	
5	141	UMS	8	35	5 40:1	2 0,37 kW	G 1 1/2" 30 mm (i.d.)		R 1"		G 1 1/2" 30 mm (i.d.)		C	

PRIUS D DIAPHRAGM 50Hz SINGLE-PHASE

1 code							pump head					Kit instal-
P000							PVDF	AISI 316L	PP			l-lation
2 bar	3 l/h	p.h.	stroke mm	spm	6 reduction	7 motor	hoses connection	hoses connection	hoses connection			
10	60	NM	3	175	8:1	6 0,37 kW	G 1/2" 13 mm (i.d.)	R 1/2"	G 1/2" 13 mm (i.d.)			A
10	30	NM	3	94	2 15:1	6 0,37 kW	G 1/2" 13 mm (i.d.)	R 1/2"	G 1/2" 13 mm (i.d.)			A
10	24	NM	3	70	4 20:1	6 0,37 kW	G 1/2" 13 mm (i.d.)	R 1/2"	G 1/2" 13 mm (i.d.)			A
10	12	NM	3	35	5 40:1	6 0,37 kW	G 1/2" 13 mm (i.d.)	R 1/2"	G 1/2" 13 mm (i.d.)			A
10	105	TM	3	175	1 8:1	6 0,37 kW	G 3/4" 13 mm (i.d.)	R 3/4"	G 3/4" 13 mm (i.d.)			A
10	56	TM	3	94	2 15:1	6 0,37 kW	G 3/4" 13 mm (i.d.)	R 3/4"	G 3/4" 13 mm (i.d.)			A
10	42	TM	3	70	4 20:1	6 0,37 kW	G 3/4" 13 mm (i.d.)	R 3/4"	G 3/4" 13 mm (i.d.)			A
10	21	TM	3	35	5 40:1	6 0,37 kW	G 3/4" 13 mm (i.d.)	R 3/4"	G 3/4" 13 mm (i.d.)			A
7	160	TM	4	175	1 8:1	6 0,37 kW	G 3/4" 13 mm (i.d.)	R 3/4"	G 3/4" 13 mm (i.d.)			A
7	86	TM	4	94	2 15:1	6 0,37 kW	G 3/4" 13 mm (i.d.)	R 3/4"	G 3/4" 13 mm (i.d.)			A
7	64	TM	4	70	4 20:1	6 0,37 kW	G 3/4" 13 mm (i.d.)	R 3/4"	G 3/4" 13 mm (i.d.)			A
7	32	TM	4	35	5 40:1	6 0,37 kW	G 3/4" 13 mm (i.d.)	R 3/4"	G 3/4" 13 mm (i.d.)			A
5	240	TM	6	175	1 8:1	6 0,37 kW	G 3/4" 18 mm (i.d.)	R 3/4"	G 3/4" 18 mm (i.d.)			B
5	128	TM	6	94	2 15:1	6 0,37 kW	G 3/4" 18 mm (i.d.)	R 3/4"	G 3/4" 18 mm (i.d.)			B
5	96	TM	6	70	4 20:1	6 0,37 kW	G 3/4" 18 mm (i.d.)	R 3/4"	G 3/4" 18 mm (i.d.)			B
5	48	TM	6	35	5 40:1	6 0,37 kW	G 3/4" 18 mm (i.d.)	R 3/4"	G 3/4" 18 mm (i.d.)			B
5	350	UMS	4	175	1 8:1	8 0,55 kW	G 1 1/2" 30 mm (i.d.)	R 1"	G 1 1/2" 30 mm (i.d.)			C
5	188	UMS	4	94	2 15:1	6 0,37 kW	G 1 1/2" 30 mm (i.d.)	R 1"	G 1 1/2" 30 mm (i.d.)			C
5	140	UMS	4	70	4 20:1	6 0,37 kW	G 1 1/2" 30 mm (i.d.)	R 1"	G 1 1/2" 30 mm (i.d.)			C
5	70	UMS	4	35	5 40:1	6 0,37 kW	G 1 1/2" 30 mm (i.d.)	R 1"	G 1 1/2" 30 mm (i.d.)			C
5	440	UMS	5	175	1 8:1	8 0,55 kW	G 1 1/2" 30 mm (i.d.)	R 1"	G 1 1/2" 30 mm (i.d.)			C
5	236	UMS	5	94	2 15:1	6 0,37 kW	G 1 1/2" 30 mm (i.d.)	R 1"	G 1 1/2" 30 mm (i.d.)			C
5	176	UMS	5	70	4 20:1	6 0,37 kW	G 1 1/2" 30 mm (i.d.)	R 1"	G 1 1/2" 30 mm (i.d.)			C
5	88	UMS	5	35	5 40:1	6 0,37 kW	G 1 1/2" 30 mm (i.d.)	R 1"	G 1 1/2" 30 mm (i.d.)			C
5	530	UMS	6	175	1 8:1	8 0,55 kW	G 1 1/2" 30 mm (i.d.)	R 1"	G 1 1/2" 30 mm (i.d.)			C
5	284	UMS	6	94	2 15:1	6 0,37 kW	G 1 1/2" 30 mm (i.d.)	R 1"	G 1 1/2" 30 mm (i.d.)			C
5	212	UMS	6	70	4 20:1	6 0,37 kW	G 1 1/2" 30 mm (i.d.)	R 1"	G 1 1/2" 30 mm (i.d.)			C
5	106	UMS	6	35	5 40:1	6 0,37 kW	G 1 1/2" 30 mm (i.d.)	R 1"	G 1 1/2" 30 mm (i.d.)			C

PRIUS D DIAPHRAGM 50Hz HIGH PRESSURE

1 code		pump head									
PD00		AISI 316L					PVDF				
2 bar	3 l/h	p.h.	stroke mm	spm	6 reduction	7 motor	hoses connection		hoses connection		4 K
100	4	LM AP	1.5	175	8:1	2 0,37 kW	R 3/8"		-		/
100	2	LM AP	1.5	94	2 15:1	2 0,37 kW	R 3/8"		-		/
100	1,5	LM AP	1.5	70	4 20:1	2 0,37 kW	R 3/8"		-		/
50	17	MM AP	2	175	1 8:1	2 0,37 kW	R 1/2"		-		/
50	9	MM AP	2	94	2 15:1	2 0,37 kW	R 1/2"		-		/
50	5	MM AP	2	70	4 20:1	2 0,37 kW	R 1/2"		-		/
50	2,5	MM AP	2	35	5 40:1	2 0,37 kW	R 1/2"		-		/
30	28	NM AP	2	175	1 8:1	2 0,37 kW	R 1/2"		-		/
30	14	NM AP	2	94	2 15:1	2 0,37 kW	R 1/2"		-		/
30	10	NM AP	2	70	4 20:1	2 0,37 kW	R 1/2"		-		/
30	5	NM AP	2	35	5 40:1	2 0,37 kW	R 1/2"		-		/
30	76	SM AP	4	175	1 8:1	2 0,37 kW	R 1/2"		-		/
30	41	SM AP	4	94	2 15:1	2 0,37 kW	R 1/2"		-		/
30	30	SM AP	4	70	4 20:1	2 0,37 kW	R 1/2"		-		/
30	15	SM AP	4	35	5 40:1	2 0,37 kW	R 1/2"		-		/
20	170	TM AP	6	175	1 8:1	2 0,37 kW	R 3/4"		-		/
20	91	TM AP	6	94	2 15:1	2 0,37 kW	R 3/4"		-		/
20	68	TM AP	6	70	4 20:1	2 0,37 kW	R 3/4"		-		/
20	34	TM AP	6	35	5 40:1	2 0,37 kW	R 3/4"		-		/
20	30	NM AP	2	175	1 8:1	2 0,37 kW	R 3/4"		8x10 (PVDF) / 8x12 (PVC)		/
20	16	NM AP	2	94	2 15:1	2 0,37 kW	R 3/4"		8x10 (PVDF) / 8x12 (PVC)		/
20	12	NM AP	2	70	4 20:1	2 0,37 kW	R 3/4"		8x10 (PVDF) / 8x12 (PVC)		/
20	6	NM AP	2	35	5 40:1	2 0,37 kW	R 3/4"		8x10 (PVDF) / 8x12 (PVC)		/

PRIUS D DIAPHRAGM 50Hz SINGLE-PHASE HIGH PRESSURE

1 code		pump head									
PD00		AISI 316L									
2 bar	3 l/h	p.h.	stroke mm	spm	6 reduction	7 motor	hoses connection				
100	4	LM AP	1.5	175	8:1	6 0,37 kW	R 3/8"				
100	2	LM AP	1.5	94	2 15:1	6 0,37 kW	R 3/8"				
100	1,5	LM AP	1.5	70	4 20:1	6 0,37 kW	R 3/8"				
50	17	MM AP	2	175	1 8:1	6 0,37 kW	R 1/2"				
50	9	MM AP	2	94	2 15:1	6 0,37 kW	R 1/2"				
50	5	MM AP	2	70	4 20:1	6 0,37 kW	R 1/2"				
50	2,5	MM AP	2	35	5 40:1	6 0,37 kW	R 1/2"				
30	28	NM AP	2	175	1 8:1	6 0,37 kW	R 1/2"				
30	14	NM AP	2	94	2 15:1	6 0,37 kW	R 1/2"				
30	10	NM AP	2	70	4 20:1	6 0,37 kW	R 1/2"				
30	5	NM AP	2	35	5 40:1	6 0,37 kW	R 1/2"				
30	76	SM AP	4	175	1 8:1	6 0,37 kW	R 1/2"				
30	41	SM AP	4	94	2 15:1	6 0,37 kW	R 1/2"				
30	30	SM AP	4	70	4 20:1	6 0,37 kW	R 1/2"				
30	15	SM AP	4	35	5 40:1	6 0,37 kW	R 1/2"				
20	170	TM AP	6	175	1 8:1	8 0,55 kW	R 3/4"				
20	91	TM AP	6	94	2 15:1	8 0,55 kW	R 3/4"				
20	68	TM AP	6	70	4 20:1	6 0,37 kW	R 3/4"				
20	34	TM AP	6	35	5 40:1	6 0,37 kW	R 3/4"				

PRIUS D DIAPHRAGM 50Hz ATEX 2G/2D

1 code											
PD00											
2 bar	3 l/h	p.h.	stroke mm	spm	6 reduction	hoses connection	II 2G Ex h IICT3 Gb AISI 316L		II 2 D Ex h IIIC T120°C Db AISI 316L		
							7 motor		7 motor	4 S	
10	6	NM	1.5	35	5 40:1	R 1/2"	A 0,25 kW		B 0,25 kW		
10	60	NM	3	175	1 8:1	R 1/2"	A 0,25 kW		B 0,25 kW		
10	30	NM	3	94	2 15:1	R 1/2"	A 0,25 kW		B 0,25 kW		
10	24	NM	3	70	4 20:1	R 1/2"	A 0,25 kW		B 0,25 kW		
10	12	NM	3	35	5 40:1	R 1/2"	A 0,25 kW		B 0,25 kW		
10	16	NM	4	35	5 40:1	R 1/2"	A 0,25 kW		B 0,25 kW		
10	105	TM	3	175	1 8:1	R 3/4"	C 0,37 kW		D 0,37 kW		
10	56	TM	3	94	2 15:1	R 3/4"	C 0,37 kW		D 0,37 kW		
10	42	TM	3	70	4 20:1	R 3/4"	C 0,37 kW		D 0,37 kW		
10	21	TM	3	35	5 40:1	R 3/4"	C 0,37 kW		D 0,37 kW		
7	160	TM	4	175	1 8:1	R 3/4"	C 0,37 kW		D 0,37 kW		
7	86	TM	4	94	2 15:1	R 3/4"	C 0,37 kW		D 0,37 kW		
7	64	TM	4	70	4 20:1	R 3/4"	C 0,37 kW		D 0,37 kW		
7	32	TM	4	35	5 40:1	R 3/4"	C 0,37 kW		D 0,37 kW		
5	240	TM	6	175	1 8:1	R 3/4"	C 0,37 kW		D 0,37 kW		
5	128	TM	6	94	2 15:1	R 3/4"	C 0,37 kW		D 0,37 kW		
5	96	TM	6	70	4 20:1	R 3/4"	C 0,37 kW		D 0,37 kW		
5	48	TM	6	35	5 40:1	R 3/4"	C 0,37 kW		D 0,37 kW		

PRIUS D DIAPHRAGM 50Hz ATEX 3G/3D

1 code		II 3G Ex h IIC T3 Gc										II 3 D Ex h IIIC T120°C Dc				Kit instal- lation
P000		pump head			PVDF	AISI316L	PP	pump head			PVDF	AISI316L	PP			
2 bar	3 l/h	p.h.	stroke mm	spm	6 reduction	7 motor	4 K	4 S	4 P	7 motor	4 K	4 S	4 P			
10	60	NM	3	175	8:1	A 0,18 kW	/	/	/	B 0,25 kW	/	/	/	A		
10	30	NM	3	94	2 15:1	A 0,18 kW	/	/	/	B 0,25 kW	/	/	/	A		
10	24	NM	3	70	4 20:1	A 0,18 kW	/	/	/	B 0,25 kW	/	/	/	A		
10	12	NM	3	35	5 40:1	A 0,18 kW	/	/	/	B 0,25 kW	/	/	/	A		
10	16	NM	4	35	5 40:1	A 0,18 kW	/	/	/	B 0,25 kW	/	/	/	A		
10	105	TM	3	175	1 8:1	C 0,37 kW	/	/	/	D 0,37 kW	/	/	/	A		
10	56	TM	3	94	2 15:1	C 0,37 kW	/	/	/	D 0,37 kW	/	/	/	A		
10	42	TM	3	70	4 20:1	C 0,37 kW	/	/	/	D 0,37 kW	/	/	/	A		
10	21	NM	3	35	5 40:1	C 0,37 kW	/	/	/	D 0,37 kW	/	/	/	A		
7	160	TM	4	175	1 8:1	C 0,37 kW	/	/	/	D 0,37 kW	/	/	/	A		
7	86	TM	4	94	2 15:1	C 0,37 kW	/	/	/	D 0,37 kW	/	/	/	A		
7	64	TM	4	70	4 20:1	C 0,37 kW	/	/	/	D 0,37 kW	/	/	/	A		
7	32	TM	4	35	5 40:1	C 0,37 kW	/	/	/	D 0,37 kW	/	/	/	A		
5	240	TM	6	175	1 8:1	C 0,37 kW	/	/	/	D 0,37 kW	/	/	/	B		
5	128	TM	6	94	2 15:1	C 0,37 kW	/	/	/	D 0,37 kW	/	/	/	B		
5	96	TM	6	70	4 20:1	C 0,37 kW	/	/	/	D 0,37 kW	/	/	/	B		
5	48	TM	6	35	5 40:1	C 0,37 kW	/	/	/	D 0,37 kW	/	/	/	B		
5	1000	UMS	10	175	1 8:1	C 0,55 kW	/	/	/	B 0,25 kW	/	/	/	C		
2	1000	UMS	10	175	1 8:1	C 0,37 kW	/	/	/	D 0,37 kW	/	/	/	C		
5	520	UMS	10	94	2 15:1	C 0,37 kW	/	/	/	D 0,37 kW	/	/	/	C		
4	520	UMS	10	94	2 15:1	C 0,37 kW	/	/	/	D 0,37 kW	/	/	/	C		
5	390	UMS	10	70	4 20:1	C 0,37 kW	/	/	/	D 0,37 kW	/	/	/	C		
5	180	UMS	10	35	5 40:1	C 0,37 kW	/	/	/	D 0,37 kW	/	/	/	C		
5	350	UMS	4	175	1 8:1	C 0,37 kW	/	/	/	D 0,37 kW	/	/	/	C		
5	188	UMS	4	94	2 15:1	C 0,37 kW	/	/	/	D 0,37 kW	/	/	/	C		
5	140	UMS	4	70	4 20:1	C 0,37 kW	/	/	/	D 0,37 kW	/	/	/	C		
5	70	UMS	4	35	5 40:1	C 0,37 kW	/	/	/	D 0,37 kW	/	/	/	C		
5	440	UMS	5	175	1 8:1	C 0,37 kW	/	/	/	D 0,37 kW	/	/	/	C		
5	236	UMS	5	94	2 15:1	C 0,37 kW	/	/	/	D 0,37 kW	/	/	/	C		
5	176	UMS	5	70	4 20:1	C 0,37 kW	/	/	/	D 0,37 kW	/	/	/	C		
5	88	UMS	5	35	5 40:1	C 0,37 kW	/	/	/	D 0,37 kW	/	/	/	C		
5	530	UMS	6	175	1 8:1	C 0,37 kW	/	/	/	D 0,37 kW	/	/	/	C		
5	284	UMS	6	94	2 15:1	C 0,37 kW	/	/	/	D 0,37 kW	/	/	/	C		
5	212	UMS	6	70	4 20:1	C 0,37 kW	/	/	/	D 0,37 kW	/	/	/	C		
5	106	UMS	6	35	5 40:1	C 0,37 kW	/	/	/	D 0,37 kW	/	/	/	C		
5	750	UMS	8	175	1 8:1	C 0,55 kW	/	/	/	B 0,25 kW	/	/	/	C		
3	750	UMS	8	175	1 8:1	C 0,37 kW	/	/	/	D 0,37 kW	/	/	/	C		
5	380	UMS	8	94	2 15:1	C 0,37 kW	/	/	/	D 0,37 kW	/	/	/	C		
5	290	UMS	8	70	4 20:1	C 0,37 kW	/	/	/	D 0,37 kW	/	/	/	C		
5	141	UMS	8	35	5 40:1	C 0,37 kW	/	/	/	D 0,37 kW	/	/	/	C		

PRIUS D DIAPHRAGM HIGH PRESSURE 50Hz ATEX 2G/2D

1 code							II 2G Ex h IIC T3 Gb		AISI316L
PD00	2 bar	3 l/h	p.h.	stroke mm	spm	6 reduction	hoses connection	pump head 7 motor	AISI316L
	100	4	LM AP	1.5	175	1 8:1	R 3/8"	C 0,37 kW	4 5
	100	2	LM AP	1.5	94	2 15:1	R 3/8"	C 0,37 kW	
	100	1,5	LM AP	1.5	70	4 20:1	R 3/8"	C 0,37 kW	
	50	17	MM AP	2	35	5 40:1	R 1/2"	C 0,37 kW	
	50	9	MM AP	2	94	2 15:1	R 1/2"	C 0,37 kW	
	50	5	MM AP	2	70	4 20:1	R 1/2"	C 0,37 kW	
	50	2,5	MM AP	2	35	5 40:1	R 1/2"	C 0,37 kW	
	30	28	NM AP	2	175	1 8:1	R 1/2"	C 0,37 kW	
	30	15	NM AP	2	94	2 15:1	R 1/2"	C 0,37 kW	
	30	10	NM AP	2	70	4 20:1	R 1/2"	C 0,37 kW	
	30	5	NM AP	2	35	5 40:1	R 1/2"	C 0,37 kW	
	30	76	SM AP	4	175	1 8:1	R 1/2"	C 0,37 kW	
	30	41	SM AP	4	94	2 15:1	R 1/2"	C 0,37 kW	
	30	30	SM AP	4	70	4 20:1	R 1/2"	C 0,37 kW	
	30	14	SM AP	4	35	5 40:1	R 1/2"	C 0,37 kW	
	20	170	TM AP	6	175	1 8:1	R 3/4"	C 0,37 kW	
	20	91	TM AP	6	94	2 15:1	R 3/4"	C 0,37 kW	
	20	68	TM AP	6	70	4 20:1	R 3/4"	C 0,37 kW	
	20	34	TM AP	6	35	5 40:1	R 3/4"	C 0,37 kW	

Series PRIUS D 60 Hz Diaphragm motor-driven dosing pumps

PRIUS series of motor-driven dosing pumps have been entirely designed and manufactured by EMEC to meet higher level requirements. PRIUS D 60 Hz pumps with constant dosing are equipped with PTFE diaphragm and are also available in the AP version for high pressures

and with three-phase or single-phase (Mono) motor. ATEX certified models are allowed to be used in potentially explosive atmospheres.

PERFORMANCE

950
l/h

100
bar

POWER SUPPLY

380
VAC

220
VAC

115
VAC

VENTING

MANUAL

SELF



FEATURES

- Horizontal mounting
- Aluminium enclosure
- Spring return mechanism
- Double ball check valve (where available)
- Manual stroke length adjustment
- Liquid ends available in different sizes and materials
- Tropicalized motor
- Available with ATEX certification

INSTALLATION

- Kit installation A included
- Kits installation B and C sold separately
- The pump with pump head in AISI316L does not have accessories for installation



PUMP HEADS



PVDF



PP



AISI316

Series PRIUS D 60 Hz

Diaphragm motor-driven dosing pumps

technical data
manuals
datasheets
exploded-views



PRIUS D 60 Hz

Diaphragm pump with constant dosing

FEATURES

- › PTFE diaphragm
- › Manual stroke length adjustment
- › Liquid ends available in different sizes and materials

FUNCTIONS

- › Constant dosing

MOTORS

0,37 kW 220/380 V 3-phase
0,18 kW 220/380 V 3-phase
0,55 kW 220/380 V 3-phase

PRIUS D 60 Hz Mono

Diaphragm pump with constant dosing and single-phase motor

FEATURES

- › PTFE diaphragm
- › Manual stroke length adjustment
- › Liquid ends available in different sizes and materials
- › Single-phase motor

FUNCTIONS

- › Constant dosing

MOTORS

0,37 kW 220 V single-phase
0,55 kW 220 V single-phase

PRIUS D 60Hz AP

Diaphragm pump with constant dosing for high pressure

FEATURES

- › PTFE diaphragm
- › Manual stroke length adjustment
- › Liquid ends available in different sizes and materials
- › For high pressure

FUNCTIONS

- › Constant dosing

MOTORS

0,37 kW 220/380 V 3-phase

PRIUS D 60Hz AP Mono

Diaphragm pump for high pressure with single-phase motor

FEATURES

- › PTFE diaphragm
- › Manual stroke length adjustment
- › Liquid ends available in different sizes and materials
- › For high pressure
- › Single-phase motor

FUNCTIONS

- › Constant dosing

MOTORS

0,37 kW 220 V single-phase
0,55 kW 220 V single-phase

ATEX - Category 2

Category 2

Installation areas liable to be endangered by explosive atmospheres. Pumps intended for use in areas in which explosive atmospheres are likely to occur.

	G (gas)	D (dust)
1999/92/EC	Zone 1	Zone 21

- › Explosive atmospheres consists of air and combustible matter, such as gases, vapours, mists or dusts in which the explosion spreads after ignition.
- › Atex pumps are designed in accordance with ATEX directive 2014/34/EU and can be used in areas (zones) classified according to ATEX directive 1999/92/CE.
- › Stainless steel liquid ends (AISI 316).

ATEX - Category 3

Category 3

Installation areas liable to be endangered by explosive atmospheres. Pumps intended for use in areas in which explosive atmospheres only rarely occur.

	G (gas)	D (dust)
1999/92/EC	Zone 2	Zone 22

- › Explosive atmospheres consists of air and combustible matter, such as gases, vapours, mists or dusts in which the explosion spreads after ignition.
- › Atex pumps are designed in accordance with ATEX directive 2014/34/EU and can be used in areas (zones) classified according to ATEX directive 1999/92/CE.

PRIUS D DIAPHRAGM 60Hz

1 code							pump head		PVDF		AISI 316L		PP		Kit instal- lation
2 bar	3 l/h	p.h.	stroke mm	spm	6 reduction	7 motor	hoses connection	4 K	hoses connection	4 S	hoses connection	4 P			
10	55	NM	3	175	3 10:1	3 0,18 kW	G 1/2" 13 mm (i.d.)		R 1/2"		G 1/2" 13 mm (i.d.)		A		
10	27	NM	3	87	4 20:1	3 0,18 kW	G 1/2" 13 mm (i.d.)		R 1/2"		G 1/2" 13 mm (i.d.)		A		
10	14	NM	3	44	5 40:1	3 0,18 kW	G 1/2" 13 mm (i.d.)		R 1/2"		G 1/2" 13 mm (i.d.)		A		
10	100	TM	3	175	3 10:1	4 0,37 kW	G 3/4" 13 mm (i.d.)		R 3/4"		G 3/4" 13 mm (i.d.)		A		
10	50	TM	3	87	4 20:1	4 0,37 kW	G 3/4" 13 mm (i.d.)		R 3/4"		G 3/4" 13 mm (i.d.)		A		
10	25	TM	3	44	5 40:1	4 0,37 kW	G 3/4" 13 mm (i.d.)		R 3/4"		G 3/4" 13 mm (i.d.)		A		
7	150	TM	4	175	3 10:1	4 0,37 kW	G 3/4" 13 mm (i.d.)		R 3/4"		G 3/4" 13 mm (i.d.)		A		
7	75	TM	4	87	4 20:1	4 0,37 kW	G 3/4" 13 mm (i.d.)		R 3/4"		G 3/4" 13 mm (i.d.)		A		
7	37	TM	4	44	5 40:1	4 0,37 kW	G 3/4" 13 mm (i.d.)		R 3/4"		G 3/4" 13 mm (i.d.)		A		
5	230	TM	6	175	3 10:1	4 0,37 kW	G 3/4" 18 mm (i.d.)		R 3/4"		G 3/4" 18 mm (i.d.)		B		
5	115	TM	6	87	4 20:1	4 0,37 kW	G 3/4" 18 mm (i.d.)		R 3/4"		G 3/4" 18 mm (i.d.)		B		
5	57	TM	6	44	5 40:1	4 0,37 kW	G 3/4" 18 mm (i.d.)		R 3/4"		G 3/4" 18 mm (i.d.)		B		
2	950	UMS	10	175	3 10:1	4 0,37 kW	G 1 1/2" 30 mm (i.d.)		R 1"		G 1 1/2" 30 mm (i.d.)		C		
5	950	UMS	10	175	3 10:1	N 0,55 kW	G 1 1/2" 30 mm (i.d.)		R 1"		G 1 1/2" 30 mm (i.d.)		C		
2	472	UMS	10	87	4 20:1	4 0,37 kW	G 1 1/2" 30 mm (i.d.)		R 1"		G 1 1/2" 30 mm (i.d.)		C		
2	238	UMS	10	44	5 40:1	4 0,37 kW	G 1 1/2" 30 mm (i.d.)		R 1"		G 1 1/2" 30 mm (i.d.)		C		
5	335	UMS	4	175	3 10:1	4 0,37 kW	G 1 1/2" 30 mm (i.d.)		R 1"		G 1 1/2" 30 mm (i.d.)		C		
5	165	UMS	4	87	4 20:1	4 0,37 kW	G 1 1/2" 30 mm (i.d.)		R 1"		G 1 1/2" 30 mm (i.d.)		C		
5	84	UMS	4	44	5 40:1	4 0,37 kW	G 1 1/2" 30 mm (i.d.)		R 1"		G 1 1/2" 30 mm (i.d.)		C		
5	420	UMS	5	175	3 10:1	4 0,37 kW	G 1 1/2" 30 mm (i.d.)		R 1"		G 1 1/2" 30 mm (i.d.)		C		
5	210	UMS	5	87	4 20:1	4 0,37 kW	G 1 1/2" 30 mm (i.d.)		R 1"		G 1 1/2" 30 mm (i.d.)		C		
5	105	UMS	5	44	5 40:1	4 0,37 kW	G 1 1/2" 30 mm (i.d.)		R 1"		G 1 1/2" 30 mm (i.d.)		C		
5	505	UMS	6	175	3 10:1	4 0,37 kW	G 1 1/2" 30 mm (i.d.)		R 1"		G 1 1/2" 30 mm (i.d.)		C		
5	250	UMS	6	87	4 20:1	4 0,37 kW	G 1 1/2" 30 mm (i.d.)		R 1"		G 1 1/2" 30 mm (i.d.)		C		
5	126	UMS	6	44	5 40:1	4 0,37 kW	G 1 1/2" 30 mm (i.d.)		R 1"		G 1 1/2" 30 mm (i.d.)		C		
3	720	UMS	8	175	3 10:1	4 0,37 kW	G 1 1/2" 30 mm (i.d.)		R 1"		G 1 1/2" 30 mm (i.d.)		C		
3	357	UMS	8	87	4 20:1	4 0,37 kW	G 1 1/2" 30 mm (i.d.)		R 1"		G 1 1/2" 30 mm (i.d.)		C		
3	181	UMS	8	44	5 40:1	4 0,37 kW	G 1 1/2" 30 mm (i.d.)		R 1"		G 1 1/2" 30 mm (i.d.)		C		

PRIUS D DIAPHRAGM 60Hz SINGLE-PHASE

1 code															Kit instal- lation
PD00															
2 bar	3 l/h	p.h.	stroke mm	spm	6 reduction	7 motor	PVDF			AISI 316L			PP		
							hoses connection	4 K	hoses connection	4 S	hoses connection	4 P			
10	55	NM	3	175	3 10:1	R 0,37 kW	G 1/2" 13 mm (i.d.)		R 1/2"		G 1/2" 13 mm (i.d.)		A		
10	27	NM	3	87	4 20:1	R 0,37 kW	G 1/2" 13 mm (i.d.)		R 1/2"		G 1/2" 13 mm (i.d.)		A		
10	14	NM	3	44	5 40:1	R 0,37 kW	G 1/2" 13 mm (i.d.)		R 1/2"		G 1/2" 13 mm (i.d.)		A		
10	100	TM	3	175	3 10:1	R 0,37 kW	G 3/4" 13 mm (i.d.)		R 3/4"		G 3/4" 13 mm (i.d.)		A		
10	50	TM	3	87	4 20:1	R 0,37 kW	G 3/4" 13 mm (i.d.)		R 3/4"		G 3/4" 13 mm (i.d.)		A		
10	25	TM	3	44	5 40:1	R 0,37 kW	G 3/4" 13 mm (i.d.)		R 3/4"		G 3/4" 13 mm (i.d.)		A		
7	150	TM	4	175	3 10:1	R 0,37 kW	G 3/4" 13 mm (i.d.)		R 3/4"		G 3/4" 13 mm (i.d.)		A		
7	75	TM	4	87	4 20:1	R 0,37 kW	G 3/4" 13 mm (i.d.)		R 3/4"		G 3/4" 13 mm (i.d.)		A		
7	37	TM	4	44	5 40:1	R 0,37 kW	G 3/4" 13 mm (i.d.)		R 3/4"		G 3/4" 13 mm (i.d.)		A		
5	230	TM	6	175	3 10:1	R 0,37 kW	G 3/4" 18 mm (i.d.)		R 3/4"		G 3/4" 18 mm (i.d.)		B		
5	115	TM	6	87	4 20:1	R 0,37 kW	G 3/4" 18 mm (i.d.)		R 3/4"		G 3/4" 18 mm (i.d.)		B		
5	57	TM	6	44	5 40:1	R 0,37 kW	G 3/4" 18 mm (i.d.)		R 3/4"		G 3/4" 18 mm (i.d.)		B		
5	335	UMS	4	175	3 10:1	E 0,55 kW	G 1 1/2" 30 mm (i.d.)		R 1"		G 1 1/2" 30 mm (i.d.)		C		
5	165	UMS	4	87	4 20:1	R 0,37 kW	G 1 1/2" 30 mm (i.d.)		R 1"		G 1 1/2" 30 mm (i.d.)		C		
5	84	UMS	4	44	5 40:1	R 0,37 kW	G 1 1/2" 30 mm (i.d.)		R 1"		G 1 1/2" 30 mm (i.d.)		C		
5	420	UMS	5	175	3 10:1	E 0,55 kW	G 1 1/2" 30 mm (i.d.)		R 1"		G 1 1/2" 30 mm (i.d.)		C		
5	210	UMS	5	87	4 20:1	R 0,37 kW	G 1 1/2" 30 mm (i.d.)		R 1"		G 1 1/2" 30 mm (i.d.)		C		
5	105	UMS	5	44	5 40:1	R 0,37 kW	G 1 1/2" 30 mm (i.d.)		R 1"		G 1 1/2" 30 mm (i.d.)		C		
5	505	UMS	6	175	3 10:1	E 0,55 kW	G 1 1/2" 30 mm (i.d.)		R 1"		G 1 1/2" 30 mm (i.d.)		C		
5	250	UMS	6	87	4 20:1	R 0,37 kW	G 1 1/2" 30 mm (i.d.)		R 1"		G 1 1/2" 30 mm (i.d.)		C		
5	126	UMS	6	44	5 40:1	R 0,37 kW	G 1 1/2" 30 mm (i.d.)		R 1"		G 1 1/2" 30 mm (i.d.)		C		

PRIUS D DIAPHRAGM 60Hz HIGH PRESSURE

1 code		pump head									
PD00		AISI 316L					PVDF				
2 bar	3 l/h	p.h.	stroke mm	spm	6 reduction	7 motor	hoses connection		4 K		
100	3	LM AP	1.5	175	3 10:1	4 0,37 kW	R 3/8"		-		
100	1,5	LM AP	1.5	87	4 20:1	4 0,37 kW	R 3/8"		-		
50	14	MM AP	2	175	3 10:1	4 0,37 kW	R 1/2"		-		
50	7	MM AP	2	87	4 20:1	4 0,37 kW	R 1/2"		-		
50	3,5	MM AP	2	44	5 40:1	4 0,37 kW	R 1/2"		-		
30	26	NM AP	2	175	3 10:1	4 0,37 kW	R 1/2"		-		
30	13	NM AP	2	87	4 20:1	4 0,37 kW	R 1/2"		-		
30	6	NM AP	2	44	5 40:1	4 0,37 kW	R 1/2"		-		
30	72	SM AP	4	175	3 10:1	4 0,37 kW	R 1/2"		-		
30	36	SM AP	4	87	4 20:1	4 0,37 kW	R 1/2"		-		
30	18	SM AP	4	44	5 40:1	4 0,37 kW	R 1/2"		-		
20	153	TM AP	6	175	3 10:1	4 0,37 kW	R 3/4"		-		
20	76	TM AP	6	87	4 20:1	4 0,37 kW	R 3/4"		-		
20	38	TM AP	6	44	5 40:1	4 0,37 kW	R 3/4"		-		
20	27	NM AP	2	175	3 10:1	4 0,37 kW	-		8x10 (PVDF) / 8x12 (PVC)		
20	13	NM AP	2	87	4 20:1	4 0,37 kW	-		8x10 (PVDF) / 8x12 (PVC)		
20	7	NM AP	2	44	5 40:1	4 0,37 kW	-		8x10 (PVDF) / 8x12 (PVC)		

PRIUS D DIAPHRAGM 60Hz HIGH PRESSURE SINGLE-PHASE

1 code		pump head									
PD00		AISI316L					4 S				
2 bar	3 l/h	p.h.	stroke mm	spm	6 reduction	7 motor	hoses connection		4 S		
100	3	LM AP	1.5	175	3 10:1	R 0,37 kW	R 3/8"		-		
100	1,5	LM AP	1.5	87	4 20:1	R 0,37 kW	R 3/8"		-		
50	14	MM AP	2	175	3 10:1	R 0,37 kW	R 1/2"		-		
50	7	MM AP	2	87	4 20:1	R 0,37 kW	R 1/2"		-		
50	3,5	MM AP	2	44	5 40:1	R 0,37 kW	R 1/2"		-		
30	26	NM AP	2	175	3 10:1	R 0,37 kW	R 1/2"		-		
30	13	NM AP	2	87	4 20:1	R 0,37 kW	R 1/2"		-		
30	6	NM AP	2	44	5 40:1	R 0,37 kW	R 1/2"		-		
30	72	SM AP	4	175	3 10:1	R 0,37 kW	R 1/2"		-		
30	36	SM AP	4	87	4 20:1	R 0,37 kW	R 1/2"		-		
30	18	SM AP	4	44	5 40:1	R 0,37 kW	R 1/2"		-		
20	153	TM AP	6	175	3 10:1	E 0,55 kW	R 3/4"		-		
20	76	TM AP	6	87	4 20:1	R 0,37 kW	R 3/4"		-		
20	38	TM AP	6	44	5 40:1	R 0,37 kW	R 3/4"		-		

PRIUS D DIAPHRAGM 60Hz ATEX 2G/2D

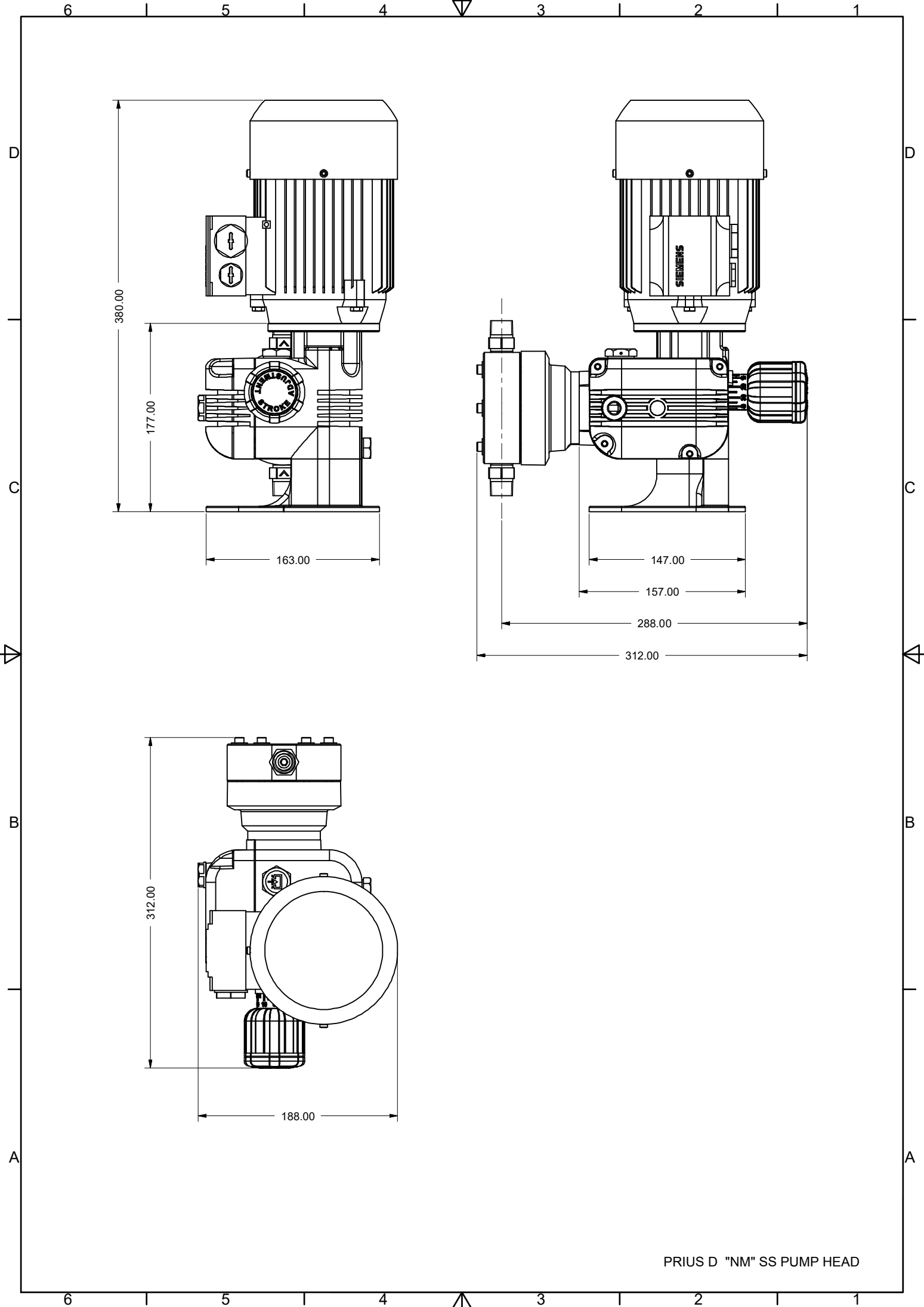
1 code		pump head									
PD00		II 2G Ex h IIC T3 Gb AISI 316L					II 2 D Ex h IIC T120°C Db AISI 316L				
2 bar	3 l/h	p.h.	stroke mm	spm	6 reduction	hoses connection	7 motor	4 S	7 motor	4 S	
10	7	NM	1.5	35	5 40:1	R 1/2"	3 0,37 kW	4 S	3 0,43 kW	4 S	
10	55	NM	3	175	3 10:1	R 1/2"	3 0,37 kW	4 S	3 0,43 kW	4 S	
10	27	NM	3	70	4 20:1	R 1/2"	3 0,37 kW	4 S	3 0,43 kW	4 S	
10	14	NM	3	35	5 40:1	R 1/2"	3 0,37 kW	4 S	3 0,43 kW	4 S	
10	100	TM	3	175	3 10:1	R 1/2"	V 0,37 kW	4 S	3 0,43 kW	4 S	
10	50	TM	3	87	4 20:1	R 3/4"	V 0,37 kW	4 S	3 0,43 kW	4 S	
10	25	TM	3	44	5 40:1	R 3/4"	V 0,37 kW	4 S	3 0,43 kW	4 S	
7	150	TM	4	175	3 10:1	R 3/4"	V 0,37 kW	4 S	3 0,43 kW	4 S	
7	75	TM	4	87	4 20:1	R 3/4"	V 0,37 kW	4 S	3 0,43 kW	4 S	
7	37	TM	4	44	5 40:1	R 3/4"	V 0,37 kW	4 S	3 0,43 kW	4 S	
5	230	TM	6	175	3 10:1	R 3/4"	V 0,37 kW	4 S	3 0,43 kW	4 S	
5	115	TM	6	87	4 20:1	R 3/4"	V 0,37 kW	4 S	3 0,43 kW	4 S	
5	57	TM	6	44	5 40:1	R 3/4"	V 0,37 kW	4 S	3 0,43 kW	4 S	

PRIUS D DIAPHRAGM 60Hz ATEX 3G/3D

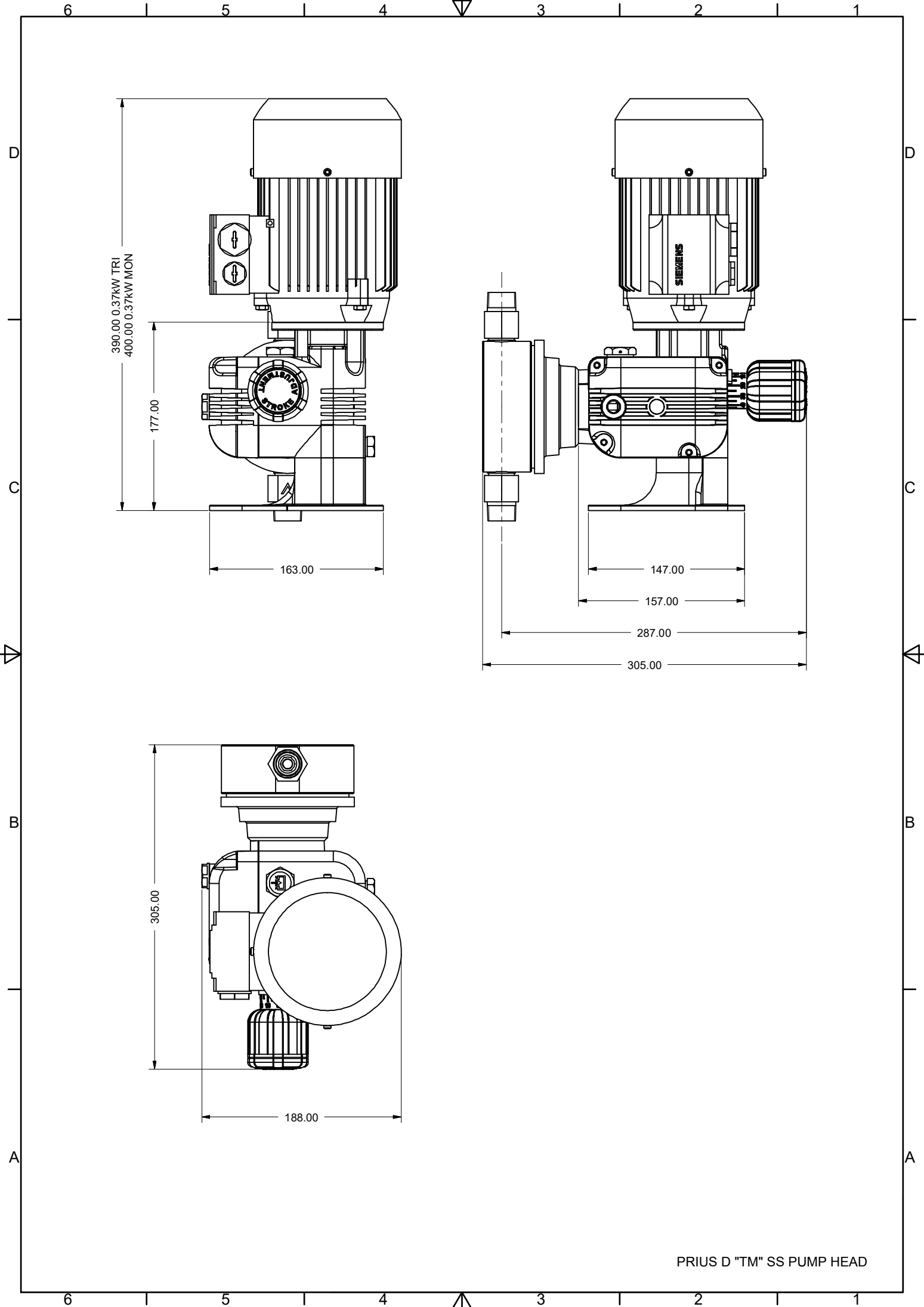
1 code		II 3G Ex h IIC T3 Gc										II 3 D Ex h IIC T120°C Dc			Kit instal- lation		
PD00		pump head		PVDF		AISI316L		PP		pump head		PVDF		AISI316L		PP	
2 bar	3 l/h	p.h.	stroke mm	spm	6 reduction	7 motor	4 K	4 S	4 P	7 motor	4 K	4 S	4 P	4 K	4 S	4 P	
10	55	NM	3	175	3 10:1	A 0,25 kW		/	€114,00	B 0,29 kW		/			/		A
10	27	NM	3	70	4 20:1	A 0,25 kW		/		B 0,29 kW		/			/		A
10	14	NM	3	35	5 40:1	A 0,25 kW		/		B 0,29 kW		/			/		A
10	100	TM	3	175	3 10:1	V 0,37 kW		/		V 0,43 kW		/			/		A
10	50	TM	3	87	4 20:1	V 0,37 kW		/		V 0,43 kW		/			/		A
10	25	TM	3	44	5 40:1	V 0,37 kW		/		V 0,43 kW		/			/		A
7	150	TM	4	175	3 10:1	V 0,37 kW		/		V 0,43 kW		/			/		A
7	75	TM	4	87	4 20:1	V 0,37 kW		/		V 0,43 kW		/			/		A
7	37	TM	4	44	5 40:1	V 0,37 kW		/		V 0,43 kW		/			/		A
5	230	TM	6	175	3 10:1	V 0,37 kW		/		V 0,43 kW		/			/		B
5	115	TM	6	87	4 20:1	V 0,37 kW		/		V 0,43 kW		/			/		B
5	57	TM	6	44	5 40:1	V 0,37 kW		/		V 0,43 kW		/			/		B
5	335	UMS	4	175	3 10:1	V 0,37 kW				V 0,43 kW							C
5	165	UMS	4	87	4 20:1	V 0,37 kW				V 0,43 kW							C
5	84	UMS	4	44	5 40:1	V 0,37 kW				V 0,43 kW							C
5	420	UMS	5	175	3 10:1	V 0,37 kW				V 0,43 kW							C
5	210	UMS	5	87	4 20:1	V 0,37 kW				V 0,43 kW							C
5	105	UMS	5	44	5 40:1	V 0,37 kW				V 0,43 kW							C
5	505	UMS	6	175	3 10:1	V 0,37 kW				V 0,43 kW							C
5	250	UMS	6	87	4 20:1	V 0,37 kW				V 0,43 kW							C
5	126	UMS	6	44	5 40:1	V 0,37 kW				V 0,43 kW							C

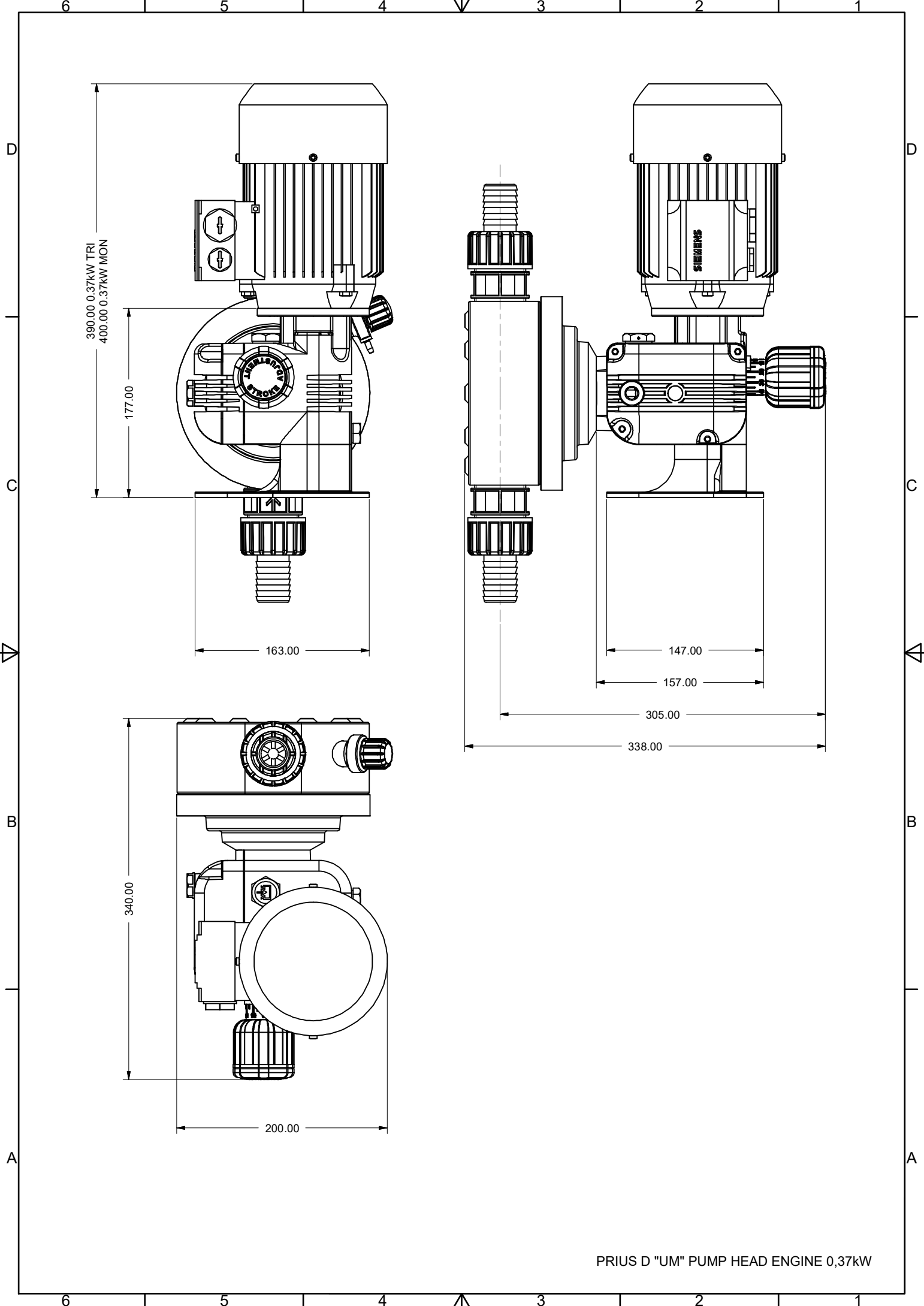
PRIUS D DIAPHRAGM 60Hz ATEX 2G/2D HIGH PRESSURE

1 code		II 2G Ex h IIC T3 Gb										II 2 D Ex h IIC T120°C Db			
PD00		pump head		PVDF		AISI316L		PP		pump head		PVDF		AISI316L	
2 bar	3 l/h	p.h.	stroke mm	spm	6 reduction	hoses connection	7 motor	4 S	4 S	7 motor	4 S	4 S	4 P	4 S	4 S
100	3	LM AP	1.5	175	3 10:1	R 3/8"	D 0,43 kW								
100	1,5	LM AP	1.5	70	4 20:1	R 3/8"	D 0,43 kW								
50	14	MM AP	2	175	3 10:1	R 1/2"	V 0,43 kW								
50	7	MM AP	2	87	4 20:1	R 1/2"	V 0,43 kW								
50	3,5	MM AP	2	44	5 40:1	R 1/2"	V 0,43 kW								
30	26	NM AP	2	175	3 10:1	R 1/2"	V 0,43 kW								
30	13	NM AP	2	87	4 20:1	R 1/2"	V 0,43 kW								
30	6	NM AP	2	44	5 40:1	R 1/2"	V 0,43 kW								
30	72	SM AP	4	175	3 10:1	R 1/2"	V 0,43 kW								
30	36	SM AP	4	87	4 20:1	R 1/2"	V 0,43 kW								
30	18	SM AP	4	44	5 40:1	R 1/2"	V 0,43 kW								
20	153	TM AP	6	175	3 10:1	R 3/4"	V 0,43 kW								
20	76	TM AP	6	87	4 20:1	R 3/4"	V 0,43 kW								
20	38	TM AP	6	44	5 40:1	R 3/4"	V 0,43 kW								



PRIUS D "NM" SS PUMP HEAD





390.00 0.37kW TRI
400.00 0.37kW MON

177.00

163.00

340.00

200.00

147.00

157.00

305.00

338.00

PRIUS D "UM" PUMP HEAD ENGINE 0,37kW