



316 L stainless steel construction machined from solid bar stock with all surfaces machined 32Ra or Better.

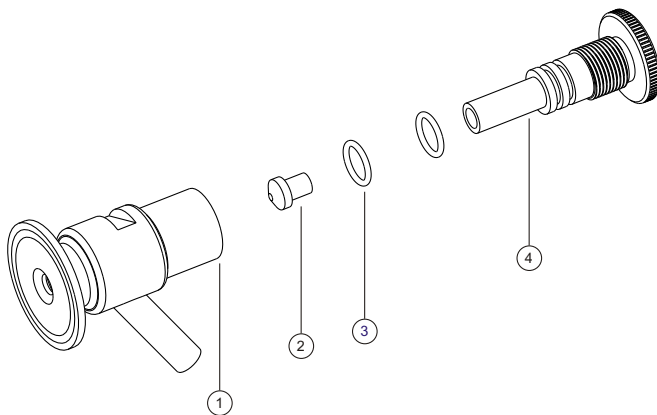
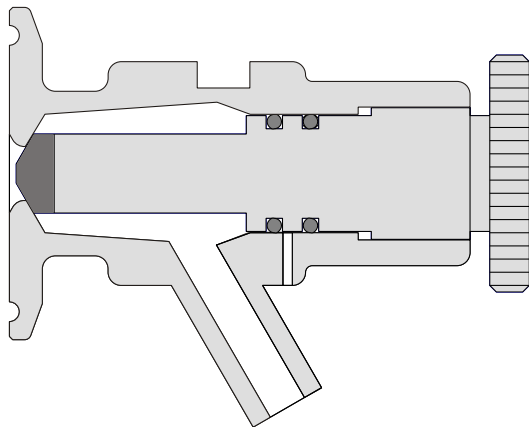
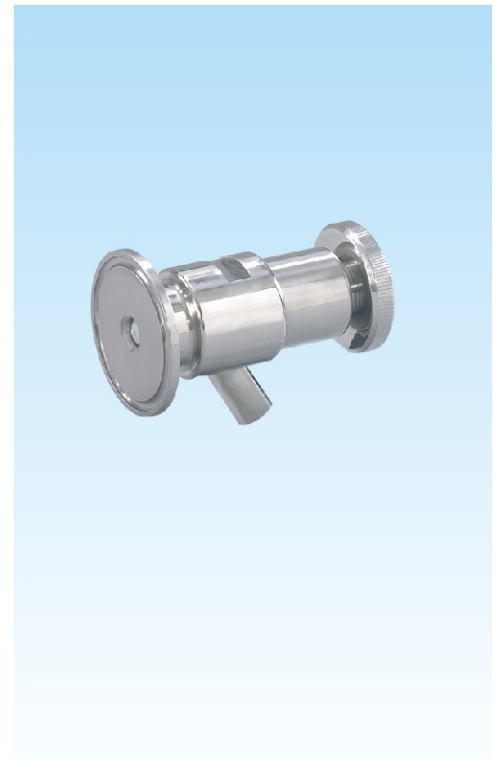
The design of valve is self draining hence no retention of product or CIP in the valve.

Quick disassembly for inspection and cleaning.

Vessel connection 1/4" NPT, 3/8" NPT, 1/2" sanitary clamp or 1" sanitary clamp.

Optional:

SIP steam or water flush connection



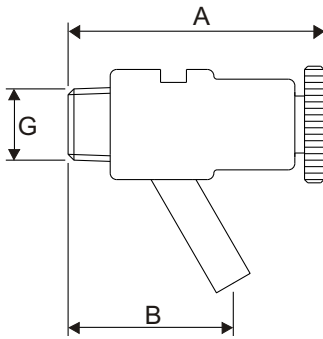
Exploded view of standard Sampling Valve

NO.	PART NO.	DESCRIPTION	MATERIAL
1	3401	BODY	AISI 316L
2	3402	SEAT	PTFE
3	3403	O'RING	VITON
4	3404	PLUNGER	AISI 316 L

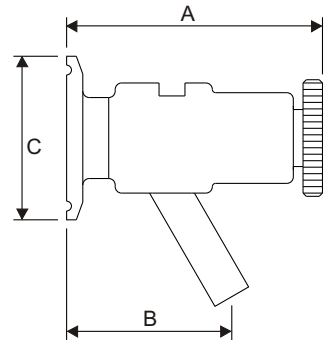
# Sampling Valve

34 Series

## Dimensions (Inches)



A	B	G
3 5/32"	2"	3/8" or 1/4"NPT



A	B	C
3 5/32"	2"	1/2" or 1" TC

## 34 Series Sampling Valve Ordering System

