

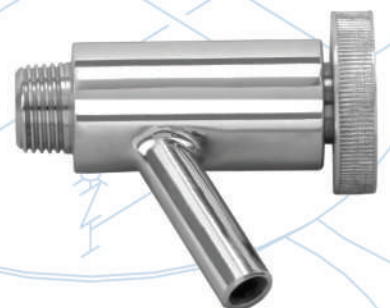
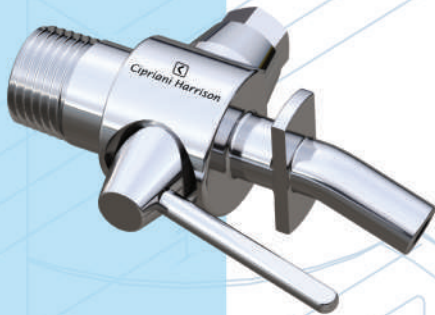


Cipriani Harrison Valves

Hygienic Stainless Steel Valves

Sampling Valve

An Array Of Hygienic Stainless Steel Valves & Flow Components.



SAMPLING VALVE

Hygienic Sanitary Sampling valve is used process industry to fetch samples either from pipeline or from tanks. There can be various ways and principle to sample a product from the system, depending on the end application.

Cipriani Harrison Sampling valves are available with different version to suite its respective application. The advance design compliments effective sampling of the product based on the area of use, product to be sampled and product properties.



DESIGN

Cipriani Harrison Sampling valves are made up of high quality AISI 304 or 316L raw material. They are designed for higher flow, easy sampling And effffce cleaning ager the sampling ing act.



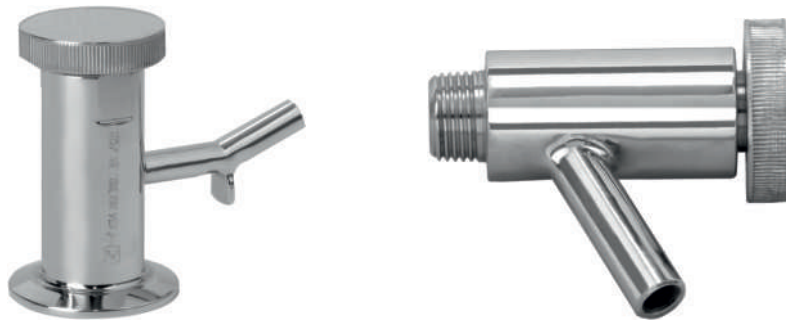
33 SERIES SAMPLING VALVE

Cipriani Harrison 33-Series sampling valve is quarter turn sampling valve which allows quick sampling if the product. The 33-Series sampling valve consist of valve body and a valve plug. The plug has a special advance post process hard quotingto avoid wear & tear, as this sampling valve has a metal to metal sealing. This allows the sampling valve to sample more intense and aggressive products. Metal to Metal sealing allows higher temperature sampling and can sample more intense & aggressive products



34 SERIES SAMPLING VALVE

Cipriani Harrison 34-Series Sampling valve is a very widely used and accepted sampling Valve for the process industry. This sampling Valve consists of a body and a plunger machined from a stainless steel bar. The design of the Valve is self-draining hence no retention of Product or CIP solution. Opti online CIP port Available for effective Cleaning after every cycle. Leak Detect port for detection of seal failure.



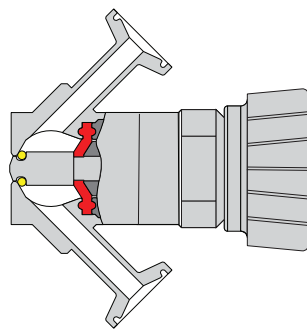
35 SERIES SAMPLING VALVE

Cipriani Harrison 35-Series sampling valve is a smart design sampling valve which balances the purpose with minimum deadleg in an economical way. The 35-Series sampling valve is machined from a high grade of stainless steel bar. This sampling valve can also be referred to as bleed type sampling valve.



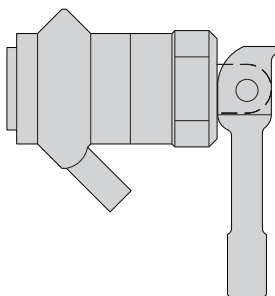
36 SERIES SAMPLING VALVE

Cipriani Harrison 36-Series sampling valve is a special sampling valve used for more stringent environment. The 36-Series Sampling valve is an aseptic sampling valve for high demanding aseptic environment. An additional sterilization port is available for cleaning or sterilization of every batch of sampling. This valve is available in various manual options and a pneumatic actuator, for automatic sampling.

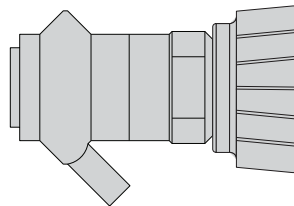


- Floating PTFE easy to clean seal, can be replaced
- Without special tool
- Contamination free aseptic design with diaphragm seal
- Fully drainable spherical shape housing

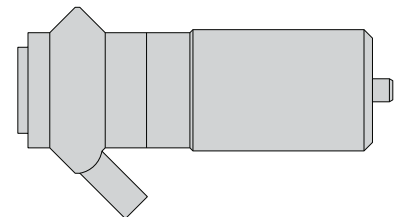
Optional CIP / Sterilization port



Toggle



Handwheel



Pneumatic Actuator

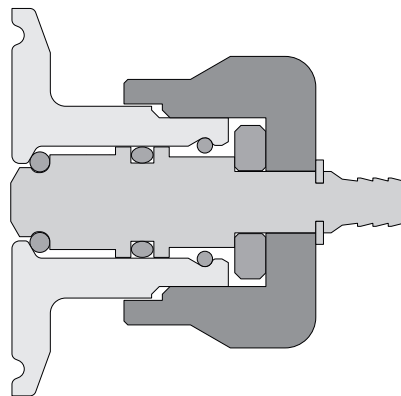
Stainless steel construction machined from solid bar stock with all surfaces machined & polished to 32Ra or Better.

Quick disassembly for inspection and cleaning.

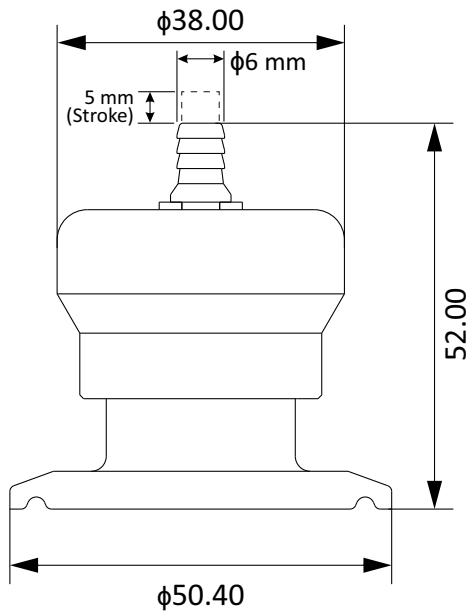
Vessel connection : 1/2" MNPT, 1/2" sanitary clamp, 1" sanitary clamp or Weldable

Maximum product pressure : 147 PSI maximum (10 Bars) Test pressure 175 PSI

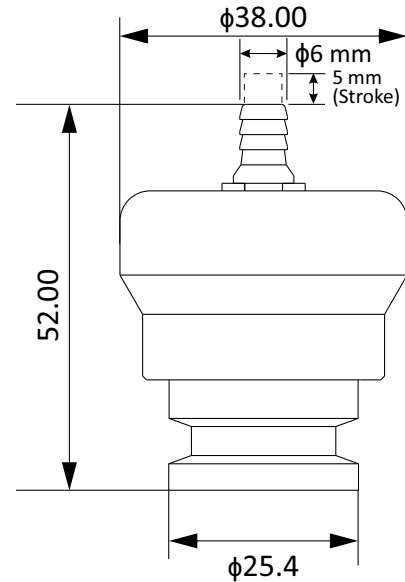
Maximum temperature : 450° F (230° c)



Dimension ISO (mm)



1" Sanitary Clamp



1/2" Sanitary Clamp

35 Series Sampling Valve Ordering System

